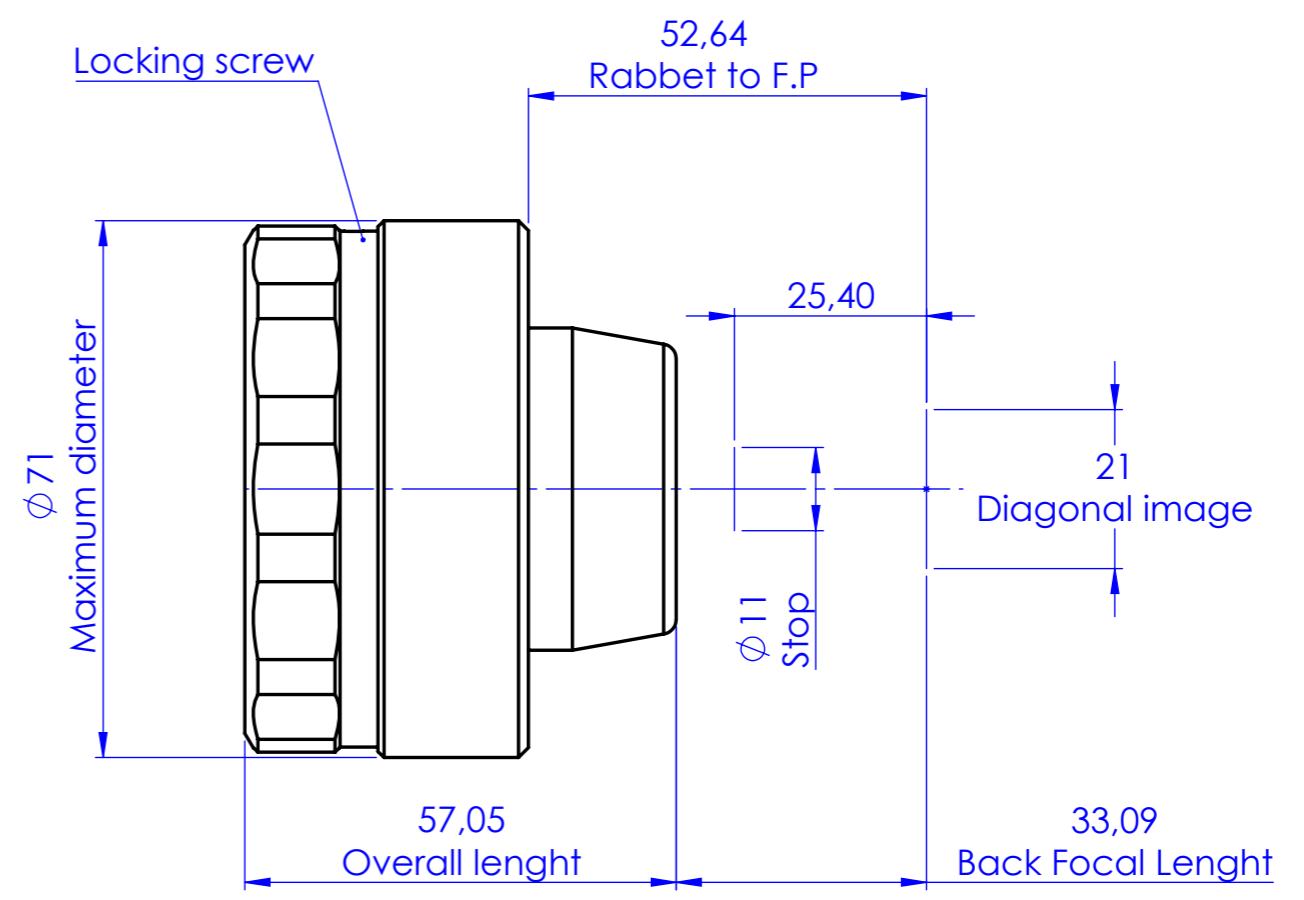
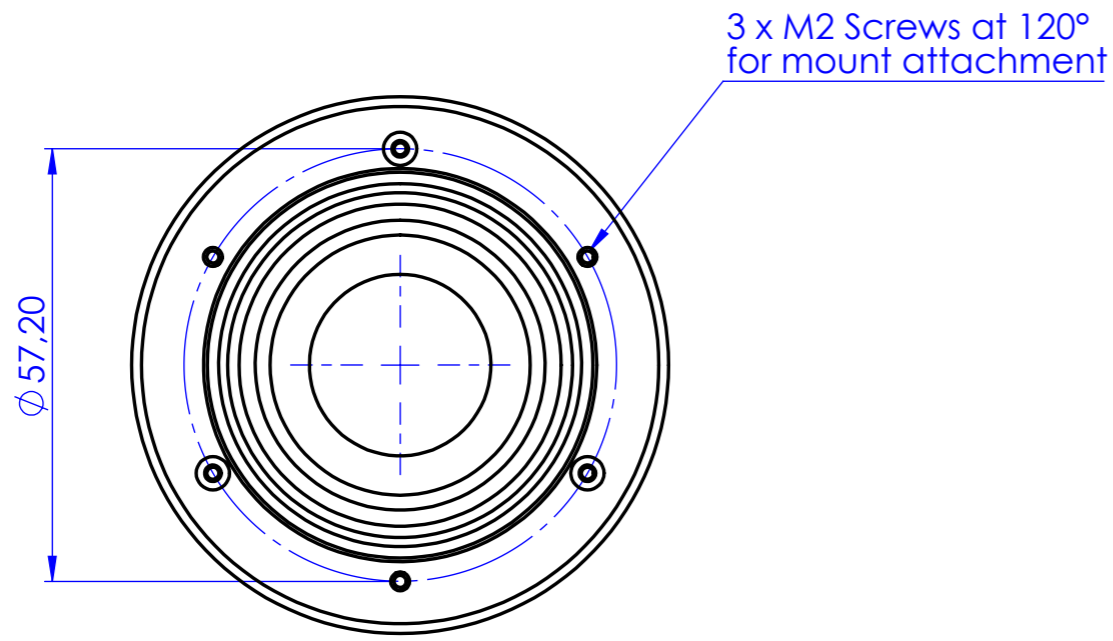


1 2 3 4 5 6 7 8

Rev No.	Description	Date	Name



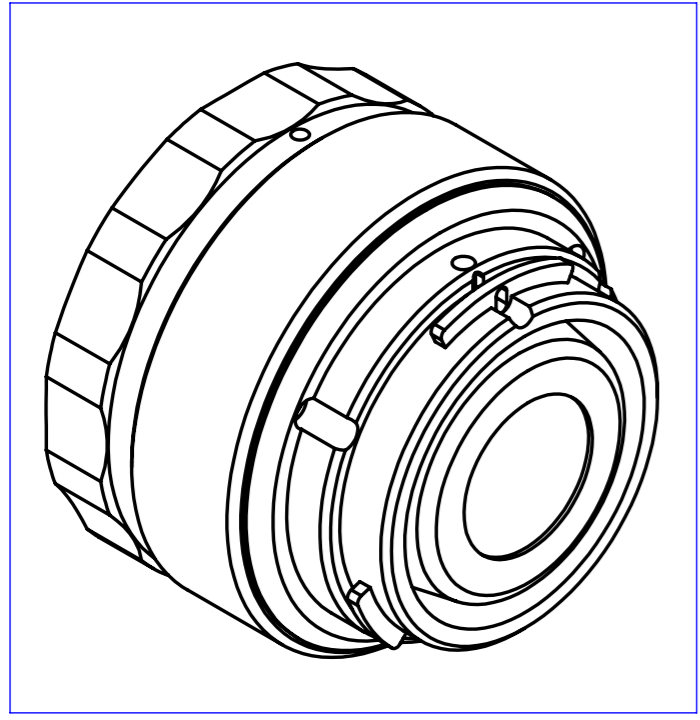
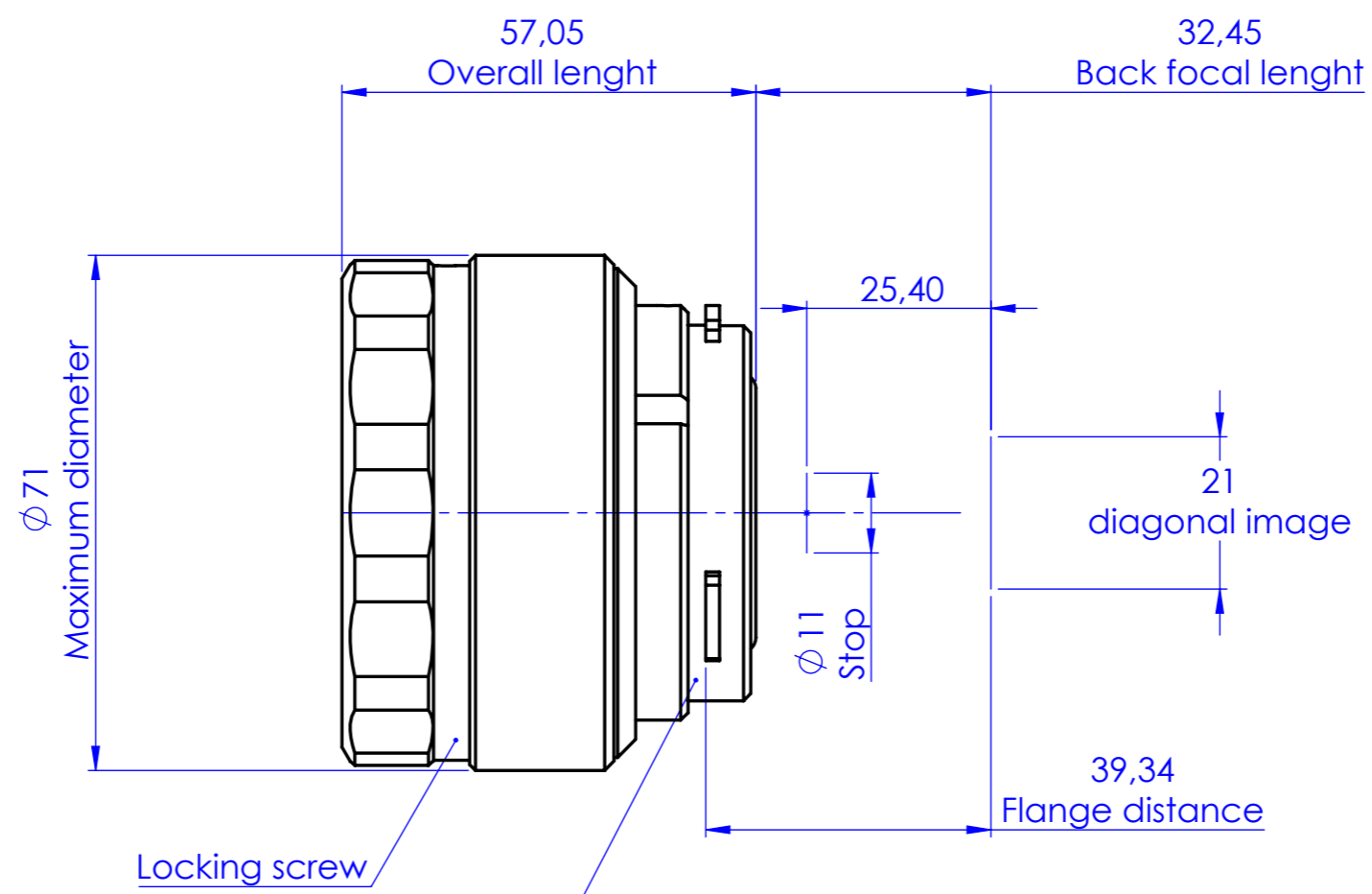
Material		N.A		Mass		263 g		Scale		1:1						
Surface treatment		N.A		Part No.		CO71296										
Geometrical tolerance (ISO 2768-2)								Class		K		Description				
Linear tolerance (ISO 2768-2)								Class		m			MW03523			
0.5 ±3	>3± 6	>6± 30	>30± 120	>120 ±400	>400± 1000	>1000 ±2000	>2000 ±4000	Undimensioned bevels	0,5x45°		Drawing No.					
±0.1	±0.1	±0.2	±0.3	±0.5	±0.8	±1.2	±2	Undimensioned radii	R 0.5			Sheet				
<p>OPTO ENGINEERING S.r.l. - Mantova Italy - Tel. +39 0376 699111 - www.opto-engineering.com</p>								Date		Name			Drawing No.		1/2	
								Designed		21/08/12		Angelosante		DP71296-A		
								Drawn		09/03/16		Rodella				
all dimensions are in mm								Checked				Secret and confidential - All rights reserved - No copy, dissemination or circulation is allowed unless specifically authorized in writing by OPTO ENGINEERING S.r.l. - Any violation shall be legally prosecuted.				

1 2 3 4 5 6 7 8

0 1 2 3 4 5 6 7 8 9 10

1 2 3 4 5 6 7 8

Rev No.	Description	Date	Name



Material	N.A			Mass	407 g	Scale	1:1
Surface treatment	N.A			Part No.	CO71296		
Geometrical tolerance (ISO 2768-2)			Class	K	Description		
Linear tolerance (ISO 2768-2)			Class	m	Undimensioned bevels	0,5x45°	MW03523
0,5 ±3	>3± 6	>6± 30	>30± 120	>120 ±400	>400± 1000	>1000 ±2000	
±0,1	±0,1	±0,2	±0,3	±0,5	±0,8	±1,2	±2
Undimensioned radii			R 0,5		Drawing No.		
			Date	Name	Sheet		
			Designed	21/08/12	Angelosante	DP71296-A	2/2
			Drawn	09/03/16	Rodella		
all dimensions are in mm OPTO ENGINEERING S.r.l. - Mantova Italy - Tel. +39 0376 699111 - www.opto-engineering.com			Checked	Secret and confidential - All rights reserved - No copy, dissemination or circulation is allowed unless specifically authorized in writing by OPTO ENGINEERING S.r.l. - Any violation shall be legally prosecuted.			

1 2 3 4 5 6 7 8

0 1 2 3 4 5 6 7 8 9 10